

Figure 20-2. Winch, assy and related parts

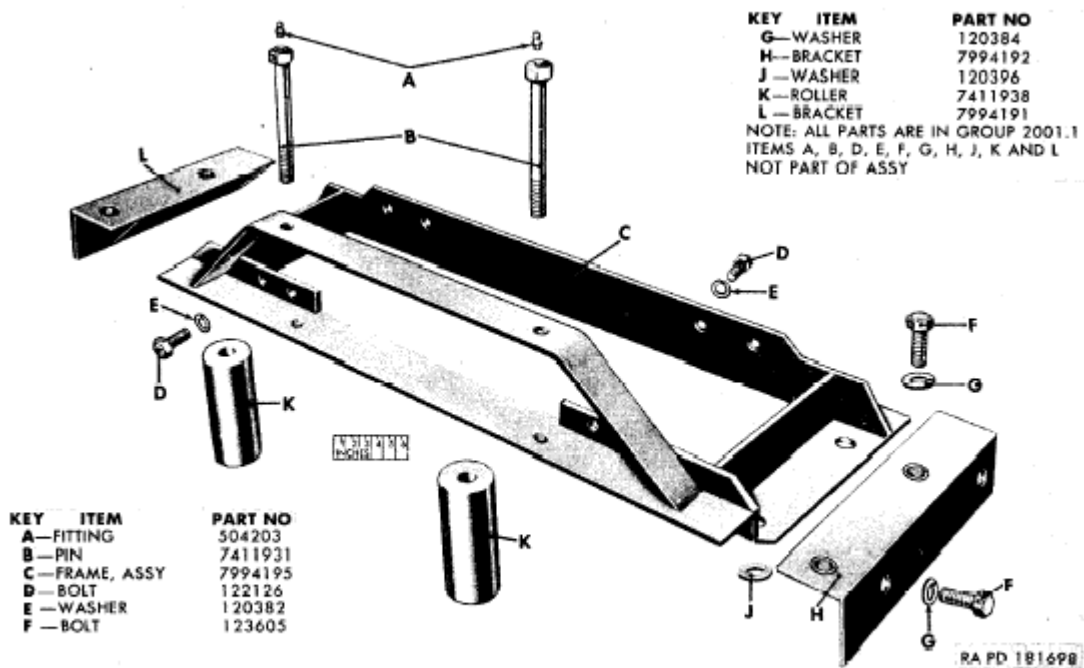


Figure 20-3. Winch frame and related parts

























