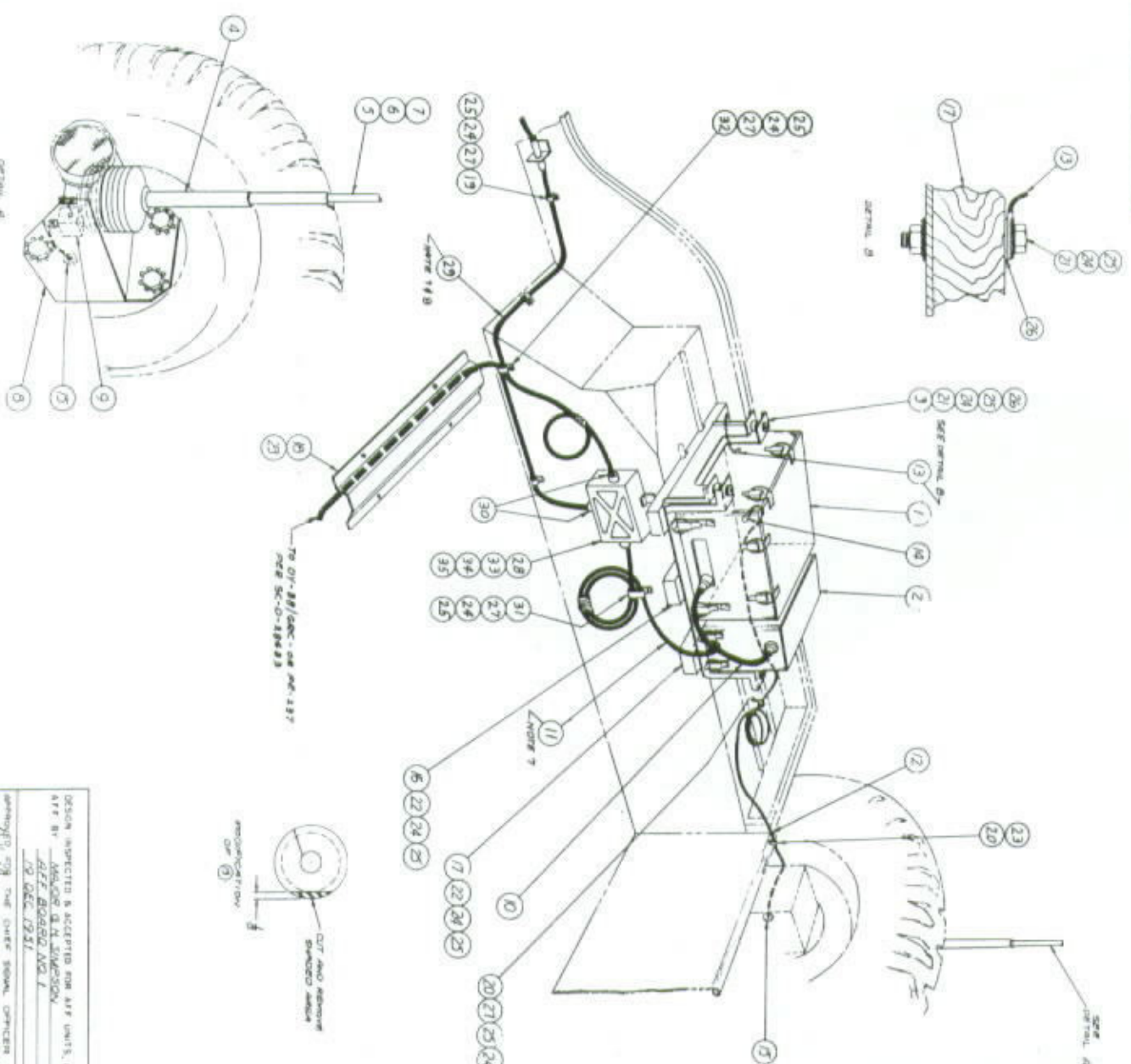


THIS IS THE ORIGINAL DRAWING. ANY CHANGES TO THIS DRAWING MUST BE MADE ON THIS DRAWING. ANY CHANGES TO THIS DRAWING MUST BE MADE ON THIS DRAWING.



NOTE 1: DIMENSIONS UNLESS SPECIFIED OTHERWISE ARE IN INCHES.
 2. RECEIVER TRANSMITTER SC-1337
 3. MOUNTING FT-306
 4. MAST BASE AS-5104
 5. MAST SECTION WS-10-4
 6. MAST SECTION WS-17-4
 7. ATTACHMENT BRACKET AS-2701
 8. TERMINAL BOX J-27104
 9. COND. CO-105
 10. COND. CO-105
 11. COND. CO-105
 12. COND. CO-105
 13. COND. CO-105
 14. COND. CO-105
 15. COND. CO-105
 16. COND. CO-105
 17. COND. CO-105
 18. COND. CO-105
 19. COND. CO-105
 20. COND. CO-105
 21. COND. CO-105
 22. COND. CO-105
 23. COND. CO-105
 24. COND. CO-105
 25. COND. CO-105
 26. COND. CO-105
 27. COND. CO-105
 28. COND. CO-105
 29. COND. CO-105
 30. COND. CO-105
 31. COND. CO-105
 32. COND. CO-105
 33. COND. CO-105
 34. COND. CO-105
 35. COND. CO-105

NO.	NAME OF ITEM	QTY	REMARKS
1	RECEIVER TRANSMITTER SC-1337	1	
2	MOUNTING FT-306	1	
3	MAST BASE AS-5104	1	
4	MAST SECTION WS-10-4	1	
5	MAST SECTION WS-17-4	1	
6	ATTACHMENT BRACKET AS-2701	1	
7	TERMINAL BOX J-27104	1	
8	COND. CO-105	1	
9	COND. CO-105	1	
10	COND. CO-105	1	
11	COND. CO-105	1	
12	COND. CO-105	1	
13	COND. CO-105	1	
14	COND. CO-105	1	
15	COND. CO-105	1	
16	COND. CO-105	1	
17	COND. CO-105	1	
18	COND. CO-105	1	
19	COND. CO-105	1	
20	COND. CO-105	1	
21	COND. CO-105	1	
22	COND. CO-105	1	
23	COND. CO-105	1	
24	COND. CO-105	1	
25	COND. CO-105	1	
26	COND. CO-105	1	
27	COND. CO-105	1	
28	COND. CO-105	1	
29	COND. CO-105	1	
30	COND. CO-105	1	
31	COND. CO-105	1	
32	COND. CO-105	1	
33	COND. CO-105	1	
34	COND. CO-105	1	
35	COND. CO-105	1	

DESIGN INSPECTED & ACCEPTED FOR AIR UNIT'S, FOR CD
 AFF BY MAJOR DAN SIMPSON
 AFF BOARD NO. 1
 20 DEC 1951

DESIGNED BY THE OVER SIGNAL OFFICER
 E. H. MA
 OVER SIGNAL COMP, DATE 8 APR 52
 OVER SIGNAL LAB SIGNAL COMP ENGINEERING LABS

NO.	DESCRIPTION	QTY	REMARKS
1	RECEIVER TRANSMITTER SC-1337	1	
2	MOUNTING FT-306	1	
3	MAST BASE AS-5104	1	
4	MAST SECTION WS-10-4	1	
5	MAST SECTION WS-17-4	1	
6	ATTACHMENT BRACKET AS-2701	1	
7	TERMINAL BOX J-27104	1	
8	COND. CO-105	1	
9	COND. CO-105	1	
10	COND. CO-105	1	
11	COND. CO-105	1	
12	COND. CO-105	1	
13	COND. CO-105	1	
14	COND. CO-105	1	
15	COND. CO-105	1	
16	COND. CO-105	1	
17	COND. CO-105	1	
18	COND. CO-105	1	
19	COND. CO-105	1	
20	COND. CO-105	1	
21	COND. CO-105	1	
22	COND. CO-105	1	
23	COND. CO-105	1	
24	COND. CO-105	1	
25	COND. CO-105	1	
26	COND. CO-105	1	
27	COND. CO-105	1	
28	COND. CO-105	1	
29	COND. CO-105	1	
30	COND. CO-105	1	
31	COND. CO-105	1	
32	COND. CO-105	1	
33	COND. CO-105	1	
34	COND. CO-105	1	
35	COND. CO-105	1	

INSTALLATION OF RADIO SETS
 SCR-B19 WITH AN/ARC-9
 OR SCR-694-C IN TRUCK,
 UTILITY, 1/2 TON, 4 X 4 M3B
 & M35A1 (2AV)

SC-D-2868